

Shower - CL.1

Affusion pipe with cover plate - polished chrome

Article number: 27 838 979-00



- laminar flow
- 3/8" shower outlet
- cover plate 240 x 60 mm
- metal shower hose 1250mm with integrated anti-twist protection
- 1/2" connection
- plug-link mounting
- max. flow 9.5 l/min
- Fittings group as per DIN 4109: 1
- Intrinsic protection against back flow.
- In combination with an eValve, the flow rate can deviate.
- Please note that for an electronic version the flow limiter must be removed.

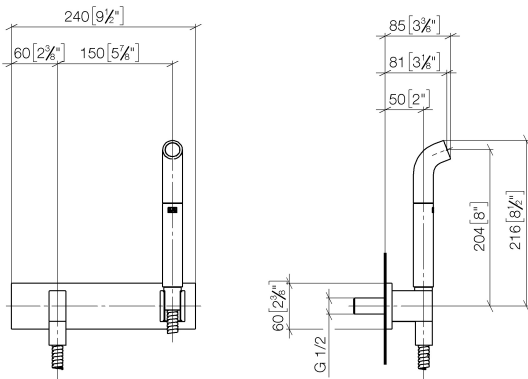


polished chrome

Discontinued articles/items available to order until 31.12.9999

Dimensional drawing

mm [inches]





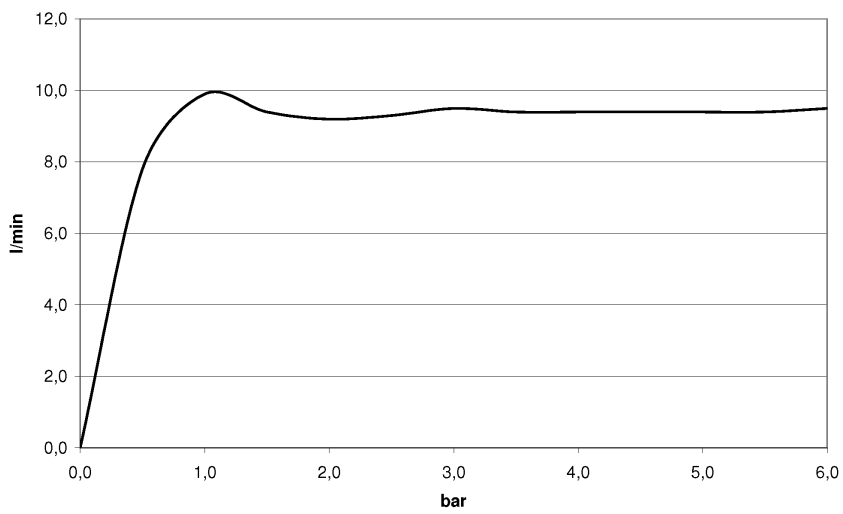
Shower - CL.1

Affusion pipe with cover plate - polished chrome

Article number: 27 838 979-00

All details in mm / inch = mm x 0.0394

Flow rate chart





Shower - CL.1

Affusion pipe with cover plate - polished chrome

Article number: 27 838 979-00

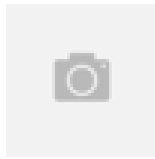
Other finish variants



platinum matt
27 838 979-06



platinum
27 838 979-08



brushed Durabrass
27 838 979-28



chrome matt
27 838 979-93



Dark Platinum matt
27 838 979-99

Other finishes on request (x-tra Service)



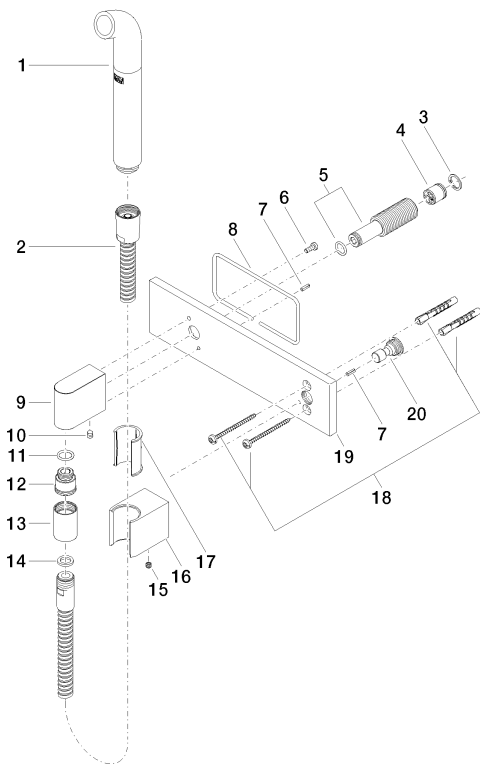
35 085 970 90
Concealed wall elbow -

Shower - CL.1

Affusion pipe with cover plate - polished chrome

Article number: 27 838 979-00

Spare parts list



No.	Item Number	Name	Quantity used
1	04 12 11 073 01-00	spout	1
2	09 30 02 072-00	Metal shower hose 1/2" x 3/8" x 1250 mm - polished chrome	1
3	09 16 01 014 90	ring	1
4	90 23 01 040 00 90	back-flow preventer	1
5	90 24 03 212 00 90	nipple	1
6	09 14 10 008 90	seal	1
7	09 31 11 026 90	pin	1
8	09 14 03 127 90	seal	2
9	09 11 03 026 20-00	connection	1
10	04 31 11 004 00 90	pin	1
11	09 14 10 077 90	seal	1
12	09 24 03 107 20 90	nipple	1
13	09 21 02 069-00	cover	1
14	09 14 20 026 90	seal	1
15	04 31 11 112 00 90	pin	1
16	09 17 20 035-00	holder	1
17	09 18 40 078 90	sleeve	1
18	05 30 31 025 00 90	fixing set	1
19	09 11 02 120-00	plate	1
20	09 24 03 073 90	nipple	1